



SCI CORPORATION CO., LTD

Heavy Duty

Superior Quality





SCI CORPORATION CO., LTD

SCI RESILIENT WEDGE GATE VALVE, OS & Y, RISING STEM, FLANGED FOR FIRE MAIN



MODEL 105U
SIZE : 2½" - 12"

DESCRIPTION

The SCI resilient wedge gate valve Model 105U is recommended for fire main and distribution service with available size from 2½" - 12"

FEATURES

- Rising stem
- Replaceable wedge
- Bubble tight shut-off
- Full port flow-low head loss
- Internally & externally epoxy coated for rust prevention
- Valcanized encapsulated resilient wedge

QUALITY CERTIFIED BY:



LISTED NO. EX6208

ISO 9001
File No. 438881 QM08
ISO 14001
File No.438881 UM



APPROVED

APPROVED NO. 3024398

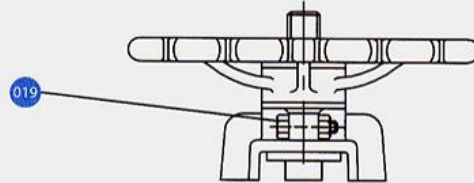


LISTED

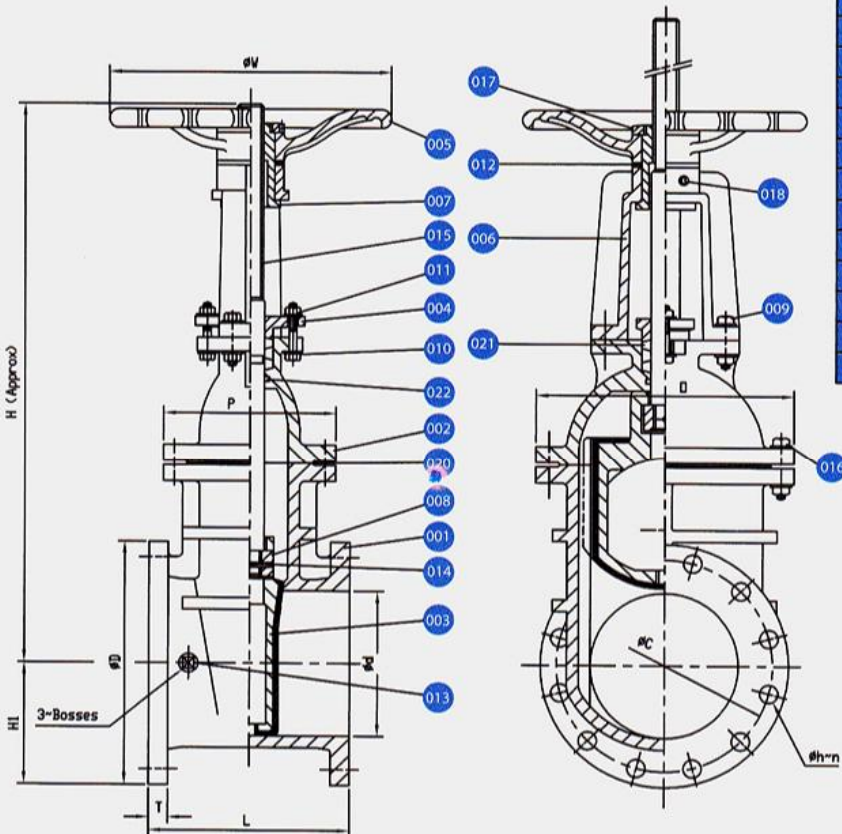
LISTED NO. 2100 122.7

Gate Valve, OS & Y, Rising Stem, Flanged Model: 105 U

DESIGN SPECIFICATIONS



No	Parts	Material	ASTM. Designation	Q'TY
001	Body	Cast Iron	A 126 Class B	1
002	Bonnet	Cast Iron	A 126 Class B	1
003	Disc	Ductile Iron Rubber (Buna N)	A 536 Gr. 65-45-12 & D 2000 BK 707	1
004	Gland	Cast Iron	A 126 Class B	1
005	Hand Weel	Cast Iron	A 126 Class B	1
006	Yoke	Cast Iron	A 126 Class B	1
007	Yoke Sleeve	Bronze	B 62	1
008	Stem Nut	Bronze	B 62	1
009	Yoke Bonnet & Nut	Galvanized Steel	A 307 Grade B	4
010	Gland Bolt	Galvanized Steel	A 307 Grade B	2
011	Gland Nut	Brass	B 21	2
012	Hand Wheel Washer	Brass	B 21	1
013	Plug	Malleable Iron	A 47	1
014	Pin	Stainless Steel	A 276 Type 304	1
015	Stem	Brass or Stainless steel	B 21 or A 276 Type 304	1
016	Bonnet Bolt & Nut	Galvanized Steel	A 307 Grade B	1 set
017	Hand wheel Nut	Galvanized Steel	A 307 Grade B	1
018	Grease Screw	Galvanized Steel	_____	1
019	Yok Bolt & Nut	Galvanize Steel	A 307 Grade B	2
020	Bonnet Gasket	Rubber (Buna N)	D 2000 BK 707	1
021	Packing	PTFE Impregnated Braided	_____	1
022	O Ring D	Rubber (Buna N)	D 2000 BK 707	2



Test Pressure	
Hydro Shell	400 PSI.
Hydro Valve Seat	400 PSI.
Hydro Back Seat	200 PSI.

SIZE Ød.		L	ANSI B.16. 1 Class 125					H	H ₁	ØW	Plug Size	□	P
in.	mm.		ØD	ØC	Øh	n	T						
2½	65	190	178	140	19	4	17.5	336	89	180	½" PT.	170	143
3	80	191	191	152	19	4	19	394	96	180	½" PT.	184	152
4	100	229	229	191	19	8	23.8	485	115	250	½" PT.	223	163
6	150	267	279	241	22.2	8	25.4	633	140	300	¾" PT.	288	196
8	200	292	343	299	22.2	8	28.6	776	172	345	¾" PT.	359	227
10	250	330	406	362	25.4	12	30.2	968	203	407	1" PT.	422	242
12	300	356	483	432	25.4	12	31.8	1111	242	450	1" PT.	510	284



SCI CORPORATION CO., LTD

SCI RESILIENT SEAL TYPE SWING CHECK VALVE, FLANGED FOR FIRE MAIN

**MODEL 120U
SIZE : 2½" - 12"**

DESCRIPTION

The SCI resilient seat swing check valve or non-return valve Model 120U is recommended for fire protection service with available size 2½" - 12".

Model 120U swing check valve is design to offer positive seating for resistance against back pressure or back flow and efficient relax surge in the line.

FEATURES

- Pressure : 200 PSI
- Replaceable resilient disc seat and disc
- Easy in-line service
- Full port
- Internally & externally epoxy coated for rust prevention
- Disc - body clearance min. 19.1 mm
- Arm - body clearance min. 12.7 mm
- Lifting lug on cover



QUALITY CERTIFIED BY:



LISTED NO. 34S2

ISO 9001
File No. 438881 QM08

ISO 14001
File No. 438881 UM



APPROVED

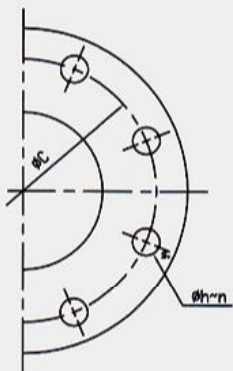
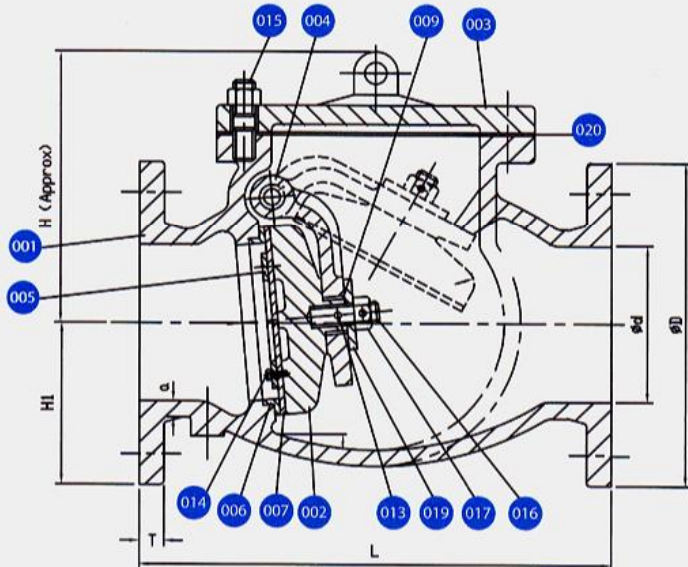
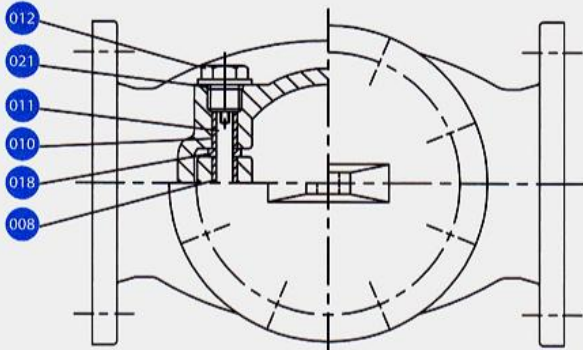
APPROVED NO. 1210



LISTED NO. 2100 122.3

Swing Check Valve, Model: 120U

DESIGN SPECIFICATIONS



No	PARTS	MATERIAL	ASTM DESIGNATION
001	Body	Cast Iron	A 126 Class B
002	Disc	Cast Iron	A 126 Class B
003	Cover	Cast Iron	A 126 Class B
004	Arm	Cast Iron	A 126 Class B
005	Seat Holder	Bronze	B 62
006	Body Seat Ring	Bronze	B 62
007	Disc Seat Ring	Rubber (Buna-N)	D 2000 BK 707
008	Arm Bushing	Bronze	B 62
009	Arm Disc Bushing	Bronze	B 62
010	Body Bushing	Bronze	B 62
011	Hinge Pin	Stainless Steel	A 276 Type 304
012	Plug (A)	Brass	B 21
013	Pin	Stainless Steel	A 276 Type 304
014	Disc Seat Bolt	Stainless Steel	A 276 Type 304
015	Cover Stud & Nut	Galvanized Steel	A 307 Grade B
016	Disc Stud	Brass	B 21
017	Disc Nut	Brass	B 21
018	Spacer	Bronze	B 62
019	Washer	Brass	B 21
020	Cover Gasket	Rubber (Buna N)	D 2000 BK 707
021	O - Ring	Rubber (Buna N)	D 2000 BK 707

Test Pressure		
Hydro Shell	400	PSI.
Hydro Valve Seat	400	PSI.
Working Pressure	200	PSI.

SIZE Ød.		L	ANSI B.16. 1 Class 125					Q	H	H1
in.	mm.		ØD	ØC	Øh	n	T			
2½	65	216	178	140	19	4	17.5	10	167	89
3	80	241	191	152	19	4	19	12	190	96
4	100	292	229	191	19	8	23.8	13	211	115
6	150	356	279	241	22.2	8	25.4	16	269	140
8	200	495	343	299	22.2	8	28.6	18	310	172
10	250	622	406	362	25.4	12	30.2	21	352	203
12	300	698	483	432	25.4	12	31.8	23	413	242



SCI CORPORATION CO., LTD

SWING CHECK VALVE

Valves are manufactured and tested in accordance with BS 5153 PN 10/16/25, TIS.383 PN 6/10/16, MSS-SP 71 class 125/250 and also meet the requirements of AWWA C 508, generally recommended to prevent backflow with minimum resistance to flow, because of full water way design. Suitable for all types of water, air and steam.



SIZE : 50 mm - 1000 mm

FEATURES

- Sizes are available from DN 50 to DN 1000, Both metal seated and resilient seated and provided.
- Flanged ends from sizes DN 50 to DN 1000 and screwed ends from sizes DN 50 to DN 200
- Flanged drilling to suit ANSI B 16.1, BS 4504, BS 10, BS 4772, ISO 2531, AS 2129, DIN, JIS and etc.
- Special accessories like by-pass unit, lever and weight, lever and spring, micro switch, cushioned and oil dash-pot are also available.

VALVE FIGURES NO.

Valve figure No. Can be Established by Start with Number 3, Follow by Valve Type and Accessories.

SIZE	SIZE	VALVE TYPE
50-300	350-1000	
0	4	= Resilient Seated
1	5	= Resilient Seated & By Pass
2	6	= Metal Seated & By Pass
3	8	= Metal Seated & By Pass

ACCESSORIES

- 0 = Non Accessories
- 1 = Lever & Weight
- 2 = Dash Pot, Lever & Weight
- 3 = Dash Pot, Micro Switch, Lever & Weight
- 4 = Dash Pot, Protection Guard, Lever & Weight
- 5 = Dash Pot, Micro Switch, Protection Guard, Lever & Weight
- 6 = Micro Switch, Lever & Weight
- 7 = Micro Switch, Protection Guard, Lever & Weight
- 8 = Lever & Spring

QUALITY CERTIFIED BY:

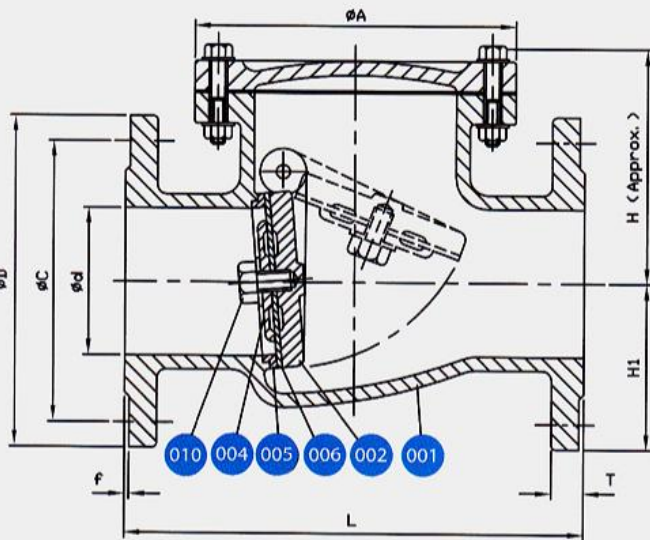
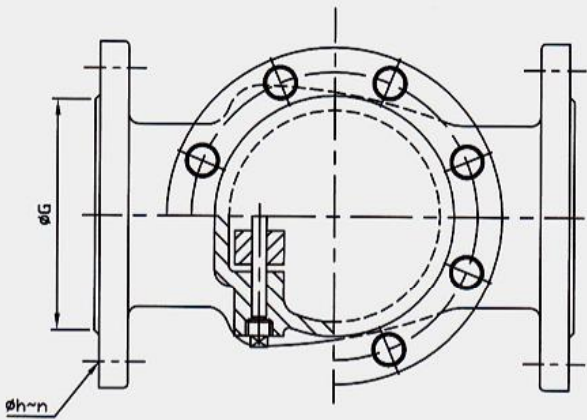


ISO 9001
File No. 438881 QM08

ISO 14001
File No.438881 UM

Swing Check Valve

DESIGN SPECIFICATIONS

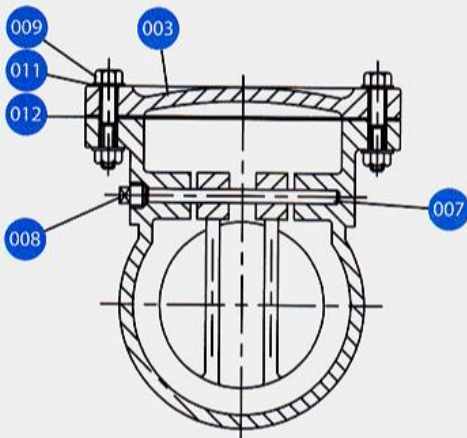


No	PARTS	MATERIAL	BS. SPEC
001	Body	Cast Iron	EN1561-EN-GJL-250
002	Disc	Cast Iron	EN1561-EN-GJL-250
003	Cover	Cast Iron	EN1561-ENGJL-250
004	Seat Holder	See Remark	-
005	Body Seat Ring	Gunmetal	EN1982-CC491K
006	Disc Seat Ring	Rubber (NBR)	EN681-1
007	Hinge Pin	Stainless Steel	EN10088-3 Gr. 1. 4301
008	Plug	Malleable Iron	-
009	Cover Bolt & Nut	Galvanized Steel	4190
010	Seat Holder Bolt	Stainless Steel	EN10088 Grade 1. 4301
011	Washer	Galvanized Steel	1506
012	Cover Gasket	Non Asbestos Sheet	-

Remark :- Size 50 - 150 mm, Cast Iron, BS EN 1561 - EN - GJL - 250
 - Size 200 - 300 mm, Ductile Iron, BS EN 1563 - EN - GJS - 500 - 7

Test Pressure

Hydro Shell	15 bar.
Hydro Valve Seat	11 bar.
Working Pressure	10 bar.



SIZE Ød.	L	FLANGED BS. EN 1092-2 PN. 10							ØA	H	H ₁
		ØD	ØC	ØG	Øh	n	T	f			
50	203	165	125	99	19	4	20	3	135	105	83
65	216	185	145	118	19	4	20	3	165	125	93
80	241	200	160	132	19	8	22	3	180	150	100
100	292	220	180	156	19	8	24	3	216	160	110
125	330	250	210	184	19	8	26	3	246	185	125
150	356	285	240	211	23	8	26	3	290	195	143
200	495	340	295	266	23	8	26	3	365	235	170
250	622	395	350	319	23	12	28	3	432	270	198
300	698	445	400	370	23	12	28	4	504	320	223



SCI AIR VALVES

SCI AIR VALVES have been especially designed to allow the most efficient method of releasing or admitting air during the filling and emptying pipelines or vessels and the release of air accumulating in pipeline during normal working conditions.

SPECIAL FEATURES

- Resilient orifices
- ABS float
- No Premature levers
- No premature closing
- Seal from very low to high working pressure (0.1-25.0 bar)
- Proven long lasting material specific gravity (0.75-0.80)
- This features reduce maintenance and servicing to a minimum
- Comply with JIS B 2063

SMALL ORIFICE

Automatically releases accumulated air in pipelines.

LARGE ORIFICE

Automatically releases or admits large volume of air for efficient filling or emptying of pipelines to protect against vacuum or pipeline damage.

DOUBLE ORIFICE AND HIGH SPEED (QUICK TYPE)

The combination of small and large orifice becomes a single unit.

DOUBLE ORIFICE WITH INTEGRAL ISOLATING VALVE

The combination of small and large orifice plus integral isolating valve becomes a single unit.



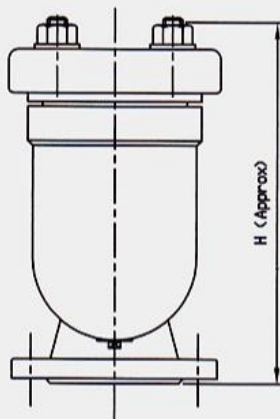
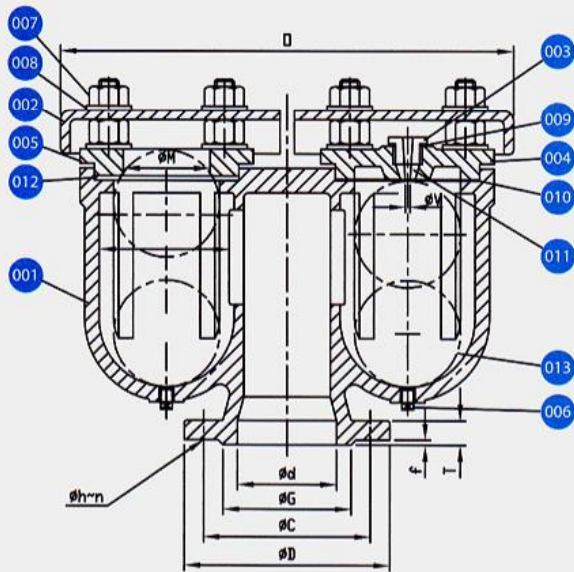
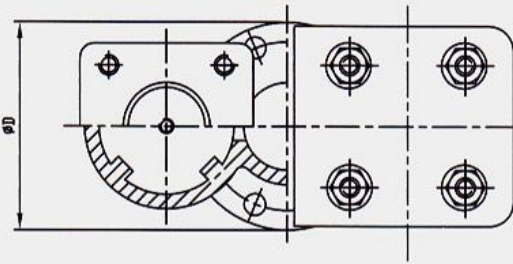
MATERIALS USED CONSTRUCTION

- Body and cover : Cast iron or Spheroidal Graphite Iron.
- Orifice and Sealing Ring : Moulded Synthetic Rubber.
- Float : ABS (Acrylonitrile Butadiene Styrene)/ Stainless Steel.
- Float guide : ABS / Gunmetal / Cast Iron.

SINGLE SMALL ORIFICE | SINGLE LARGE ORIFICE | DOUBLE ORIFICE | HIGH SPEED

Air Valve Double Orifice Without Integral Valve

DESIGN SPECIFICATIONS



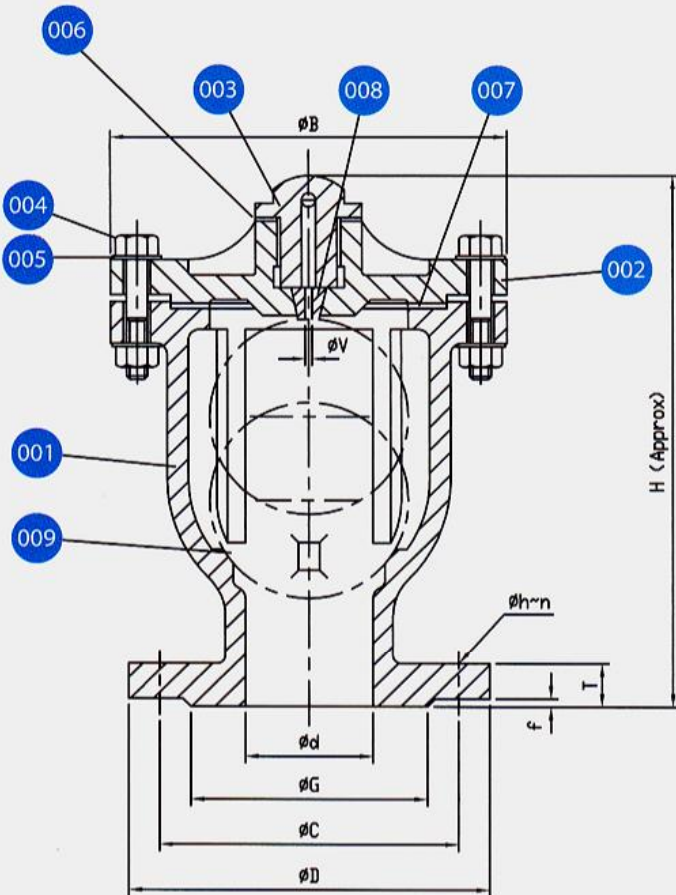
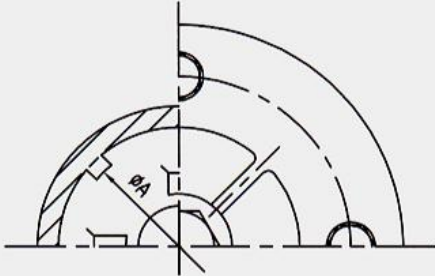
No	PARTS	MATERIAL	BS. SPEC
001	Body	Cast Iron	EN1561-EN-GJL-250
002	Cover	Cast Iron	EN1561-EN-GJL-250
003	Seat Holder	High Tensile Brass	EN12165-CW721R
004	Lid	Cast Iron	EN1561-EN-GJL-250
005	Seat Cover	Cast Iron	EN1561-EN-GJL-250
006	Plug	Malleable Iron	-
007	Cover Stud & Nut	Galvanized Steel	4190
008	Washer	Galvanized Steel	1506
009	Holder Gasket	Non Asbestos Sheet	-
010	Gasket	Rubber (NBR)	EN681-1
011	Small Orifice	Rubber (NBR)	EN681-1
012	Plate Seat	Rubber (NBR)	EN681-1
013	Float	ABS	-

Test Pressure		
Hydro Shell	15	bar.
Hydro Valve Seat	10	bar.
Working Pressure	10	bar.

SIZE Ød.	FLANGED BS. EN 1092-2 PN. 10							ØV	ØM	□	H
	ØD	ØC	ØG	Øh	n	T	f				
50	165	125	99	19	4	20	3	2.2	63	300	245
65	185	145	118	19	4	20	3	2.2	63	300	260
80	200	160	132	19	8	22	3	2.2	68	372	300
100	220	180	156	19	8	24	3	2.5	70	418	345
150	285	240	211	23	8	26	3	2.8	78	454	395
200	340	295	266	23	8	26	3	3.5	88	560	440
250	395	350	319	23	12	28	3	4	100	714	515

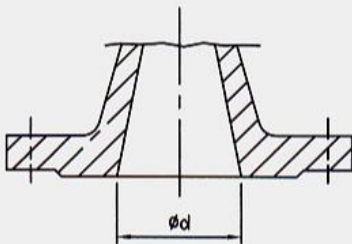
Single Small Orifice Air Valve with Flanged End

DESIGN SPECIFICATIONS



No	PARTS	MATERIAL	BS. SPEC
001	Body	Cast Iron	EN1561-EN-GJL-250
002	Cover	Cast Iron	EN1561-EN-GJL-250
003	Seat Holder	High Tensile Brass	EN12165-CW721R
004	Cover Bolt & Nut	Galvanized Steel	4190
005	Washer	Galvanized Steel	1506
006	Holder Gasket	Non Asbestos Sheet	-
007	Cover Gasket	Rubber (NBR)	EN681-1
008	Small Orifice	Rubber (NBR)	EN681-1
009	Float	ABS	-

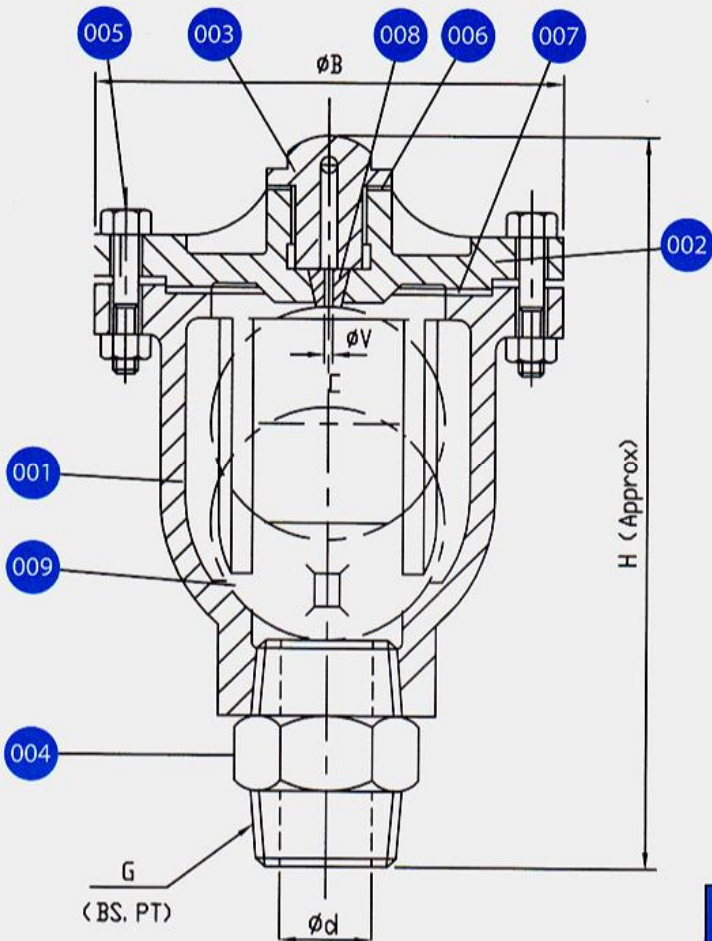
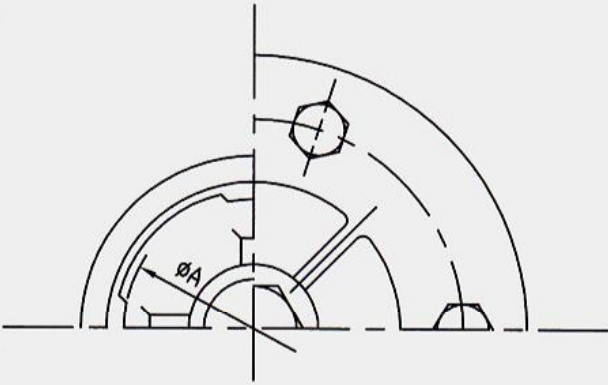
Test Pressure		
Hydro Shell	15	bar.
Hydro Valve Seat	10	bar.
Working Pressure	10	bar.



SIZE Ød.	FLANGED BS. EN 1092-2 PN. 10							ØA	ØB	H	ØV
	ØD	ØC	ØG	Øh	n	T	f				
25	115	85	65	14	4	16	3	53	114	161	1.8
40	150	110	84	19	4	18	3	63	126	178	2.0
50	165	125	99	19	4	20	3	94	190	229	2.2
65	185	145	118	19	4	20	3	94	190	235	2.2
80	200	160	132	19	8	22	3	99	200	235	2.2
100	220	180	156	19	8	24	3	104	220	268	2.5
150	285	240	211	23	8	26	3	114	230	300	2.8

Single Small Orifice Air Valve with Screwed End

DESIGN SPECIFICATIONS



No	PARTS	MATERIAL	BS. SPEC
001	Body	Cast Iron	EN1561-EN-GJL-250
002	Cover	Cast Iron	EN1561-EN-GJL-250
003	Seat Holder	High Tensile Brass	EN12165-CW721R
004	Nipple	Malleable Iron	-
005	Cover Bolt & Nut	Galvanized Steel	4190
006	Holder Gasket	Non Asbestos Sheet	-
007	Cover Gasket	Rubber (NBR)	2494
008	Small Orifice	Rubber (NBR)	2494
009	Float	ABS	-

Test Pressure		
Hydro Shell	15	bar.
Hydro Valve Seat	10	bar.
Working Pressure	10	bar.

SIZE Ød.	ØA	ØB	H	ØV	G
20	53	114	172	1.8	3/4"
25	53	114	176	1.8	1"
40	63	126	192	2	1½"
50	94	190	250	2.2	2"
80	99	200	262	2.2	3"
100	104	220	272	2.5	4"